

Caprio

Model # 5905

Caprio 18in Round Planter



DESCRIPTION

The Caprio is a sleek, round, and modern planter with smart detailing around the base. Brighten your space with this modern planter.

- Double wall design with water reservoir feature
- Manually fill up the self-watering reservoir directly
- Weather resistant, low maintenance material
- 100% high-grade polyethylene planter with UV inhibitors
- Warranty: 15-Yr Residential Use / 5-Yr Commercial Use

PRODUCT DIMENSIONS

Outside Dimensions: 16in DIA x 18in H (40.6cm x 45.7cm)

Inside Dimensions: 13in DIA x 10.3in D (33.0cm x 26.0cm)

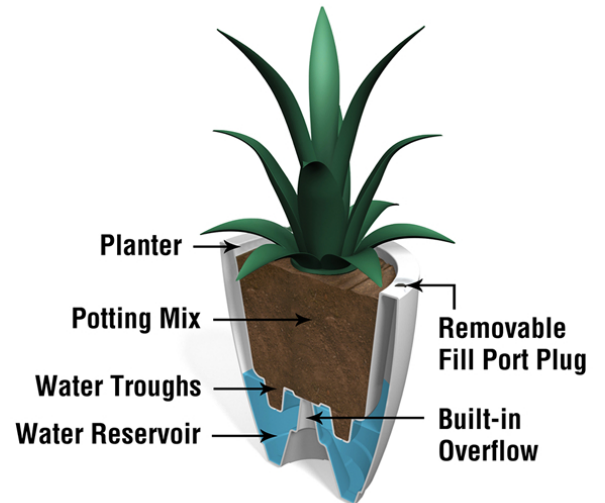
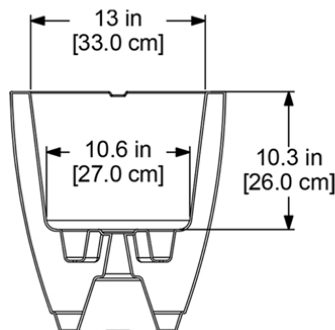
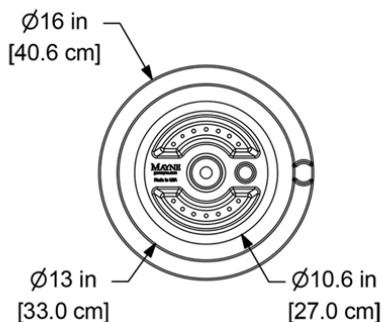
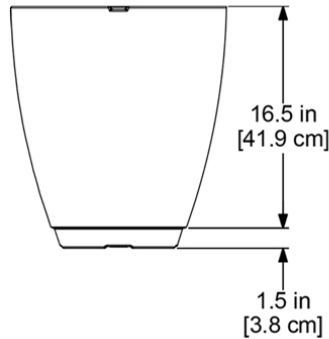
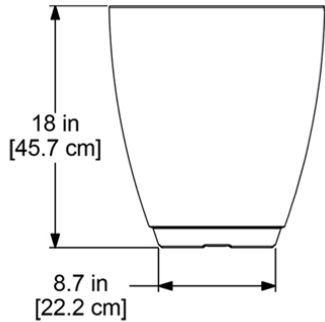
Soil Capacity: 4.8 Gallons (18 Liters)

Water Reservoir Capacity: 2.3 Gallons (8.7 Liters)

Wall Thickness: 0.1in (2.5mm)

Part Weight: 5lbs (2.3kg)

Material: Polyethylene



MAYNE[®]
Outdoor Products of Distinction

7024 Kilbourne Rd - Unit A
London, ON N6P 1K6
866-363-8834 | gomayne.com
customerservice@gomayne.com